

WMS 309-n

SPINDLE ACTUATOR

OPENING STROKE SIZES

300, 500, 750 or 1000 mm

PUSH FORCE

900 N

VOLTAGE

24V DC (+/- 10%)



DESCRIPTION

Strong actuator suitable for roof openings for comfort ventilation

To be used together with $\pm 24V$ control units or control units with MotorLink®

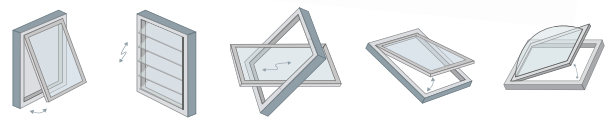
Synchronization of up to 4 window actuators – no need for an external synchronization module

Genuine position feedback and 3 speeds when using control unit with MotorLink®

The electronics in this actuator can be programmed to suit specific requirements – i.e. pressure- and traction force, stroke, speed/sound level – with the WAT 100 programming box, this is also possible following installation

The actuator has an integrated reverse function to ensure a prolonged life span of the window gaskets.

WINDOW TYPES



APPLICATION



COLOURS

- Silver Anodised
- ⊗ Custom RAL colour

TECHNICAL DATA

Voltage	24V DC (+/- 10%)
Push Force	900 N
Pull Force	900 N
Opening Stroke	300, 500, 750 or 1000 mm
Opening Speed	5.8 mm/s
Current Consumption	1 A
Operating Conditions	-5°C - +74°C
Switch-on Duration	ED 30% (max. 3min. per 10min.)
Colour	Silver Anodised or custom RAL colour
IP Rating	IP 54
Life Span	11,000 opening and closing movements
Delivery Includes	1 x Actuator (fixing brackets sold separately)
Flex Length	5 m
Cable Dimensions	3-Core
Min. window width	> 95 mm
Max. window width	< 1300 mm (use multiple actuators if wider)
Synchronisation	Yes

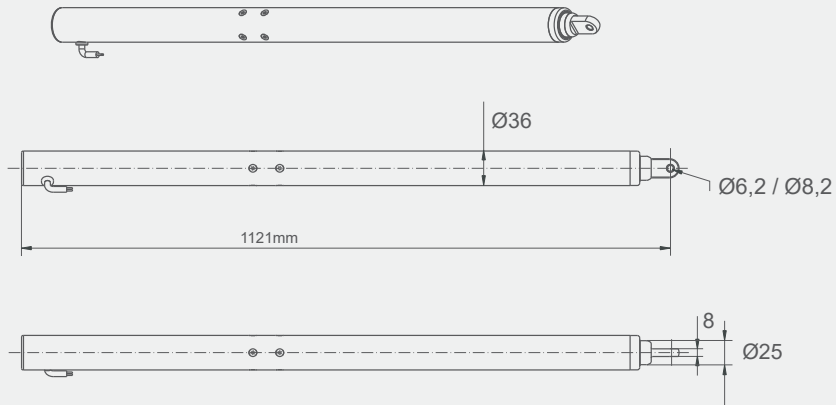
ACCESSORIES

- WSB 300 0001 - Actuator bracket with clamping ring (40mm)
- WSB 300 0002 - Actuator bracket with clamping ring (73/86mm)
- WSB 300 0003 - Actuator bracket with clamping ring (65mm)
- WSB 300 0010 - Wing bracket with bolt retaining cotter pin
- WSB 300 0011 - Wing bracket with fixing bolt
- WSB 300 0012 - Wing bracket with pin and retaining bracket

PART CODES

- WMS309300-1 - WMS 309-1 Actuator 24 V 300mm
- WMS309500-1 - WMS 309-1 Actuator 24 V 500mm
- WMS309750-1 - WMS 309-1 Actuator 24 V 750mm
- WMS3091000-1 - WMS 309-1 Actuator 24 V 1000mm
- WMS309300-2 - WMS 309-2 Actuator 24 V 300mm (sync.)
- WMS309500-2 - WMS 309-2 Actuator 24 V 500mm (sync.)
- WMS309750-2 - WMS 309-2 Actuator 24 V 750mm (sync.)
- WMS3091000-2 - WMS 309-2 Actuator 24 V 1000mm (sync.)

DIMENSIONS



CONTROLS



WSC 204
AOV Control Unit



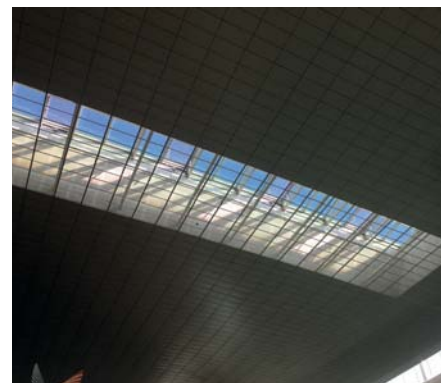
WSK 320
Override Switch



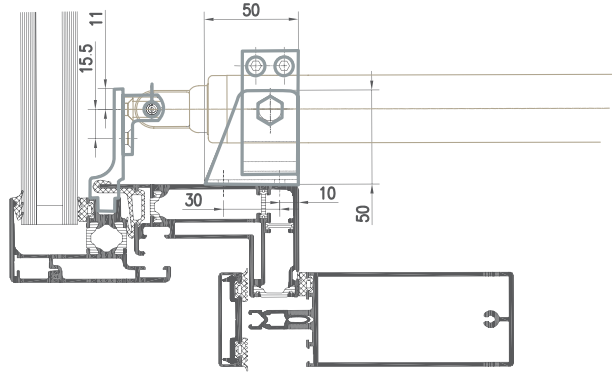
WUC 102
Control Unit



WSK 100
Ventilation Keypad



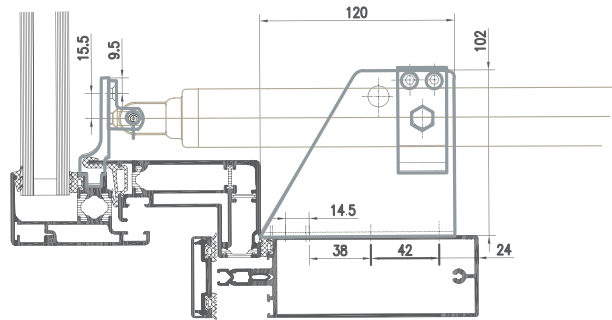
**INSTALLATION
EXAMPLES**



WSB 300 0012



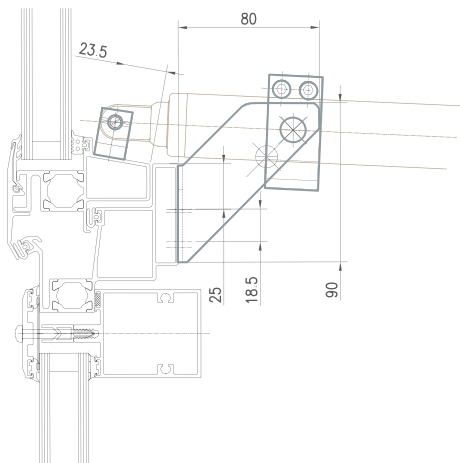
WSB 300 0001



WSB 300 0012



WSB 300 0002



WSB 300 0011



WSB 300 0003

