

# WMS 306-n

## SPINDLE ACTUATOR

### OPENING STROKE SIZES

300, 500 or 750 mm

### PUSH FORCE

600 N

### VOLTAGE

24V DC (+/- 10%)



### DESCRIPTION

Strong actuator suitable for roof openings for comfort ventilation

To be used together with  $\pm 24V$  control units or control units with MotorLink®

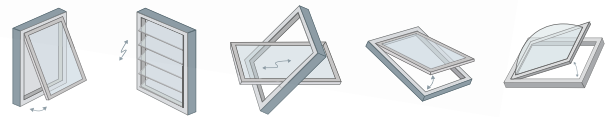
Synchronization of up to 4 window actuators – no need for an external synchronization module

Genuine position feedback and 3 speeds when using control unit with MotorLink®

The electronics in this actuator can be programmed to suit specific requirements – i.e. pressure- and traction force, stroke, speed/sound level – with the WAT 100 programming box, this is also possible following installation

The actuator has an integrated reverse function to ensure a prolonged life span of the window gaskets

### WINDOW TYPES



### APPLICATION



COMFORT  
VENTILATION

### COLOURS

- Silver Anodised
- ⊗ Custom RAL colour

## TECHNICAL DATA

Voltage	24V DC (+/- 10%)
Push Force	600 N
Pull Force	600 N
Opening Stroke	300, 500 or 750 mm
Opening Speed	5 mm/s
Current Consumption	1 A
Operating Conditions	-5°C - +74°C
Switch-on Duration	ED 30% (max. 3min. per 10min.)
Colour	Silver Anodised or custom RAL colour
IP Rating	IP 54
Life Span	11,000 opening and closing movements
Delivery Includes	1 x Actuator (fixing brackets sold separately)
Flex Length	5 m
Cable Dimensions	3-Core
Min. window width	> 95 mm
Max. window width	< 1300 mm (use multiple actuators if wider)
Synchronisation	Yes

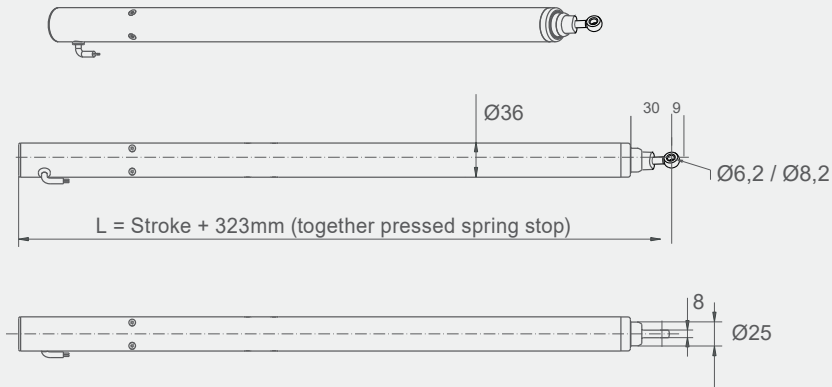
## ACCESSORIES

- WSB 300 0001 - Actuator bracket with clamping ring (40mm)
- WSB 300 0002 - Actuator bracket with clamping ring (73/86mm)
- WSB 300 0003 - Actuator bracket with clamping ring (65mm)
- WSB 300 0010 - Wing bracket with bolt retaining cotter pin
- WSB 300 0011 - Wing bracket with fixing bolt
- WSB 300 0012 - Wing bracket with pin and retaining bracket

## PART CODES

- WMS306300-1 - WMS 306-1 Actuator 24 V 300mm
- WMS306500-1 - WMS 306-1 Actuator 24 V 500mm
- WMS306750-1 - WMS 306-1 Actuator 24 V 750mm
- WMS306300-2 - WMS 306-2 Actuator 24 V 300mm (sync.)
- WMS306500-2 - WMS 306-2 Actuator 24 V 500mm (sync.)
- WMS306750-2 - WMS 306-2 Actuator 24 V 750mm (sync.)

**DIMENSIONS**



**CONTROLS**



**WSC 204**  
AOV Control Unit



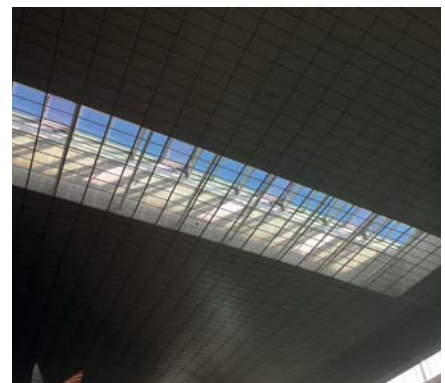
**WSK 320**  
Override Switch



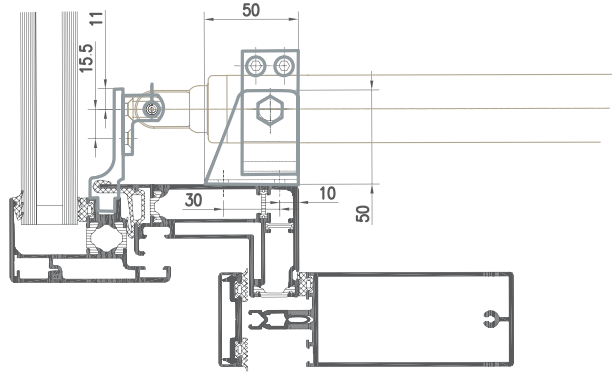
**WUC 102**  
Control Unit



**WSK 100**  
Ventilation Keypad



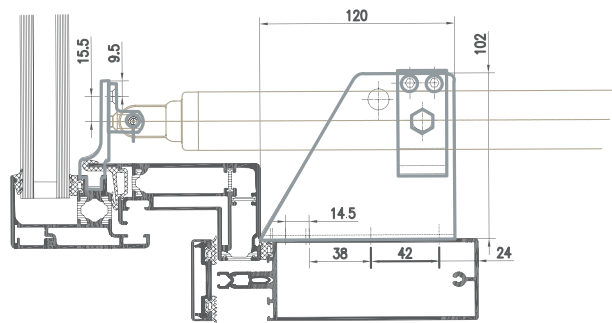
**INSTALLATION  
EXAMPLES**



WSB 300 0012



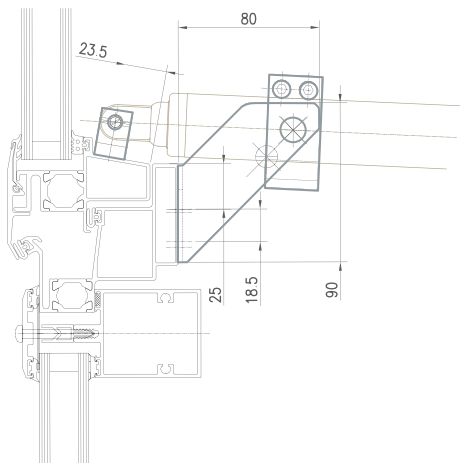
WSB 300 0001



WSB 300 0012



WSB 300 0002



WSB 300 0011



WSB 300 0003

