

T200

MANUAL MAXI OPERATOR



DESCRIPTION

- Maxi Operator used to manually wind Open or Close high level windows, rooflights or louvres.
- A single Maxi Operator can be used to control individual or multiple T100, T150, T175, T190 or SJ138600 Manual Openers.
- Maximum opening of 380mm (adjustable)
- Supplied complete with T277 Handle.

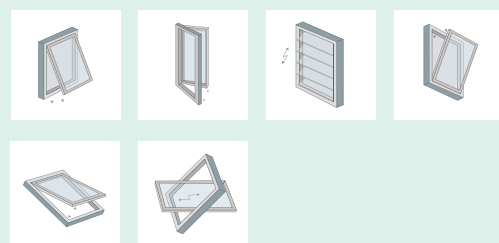
OPENING STROKE

- 250mm - 380mm

COLOURS

- White (RAL 9010)
- Black (RAL 9005)
- Silver (RAL 9006)

WINDOW TYPES



TECHNICAL DATA

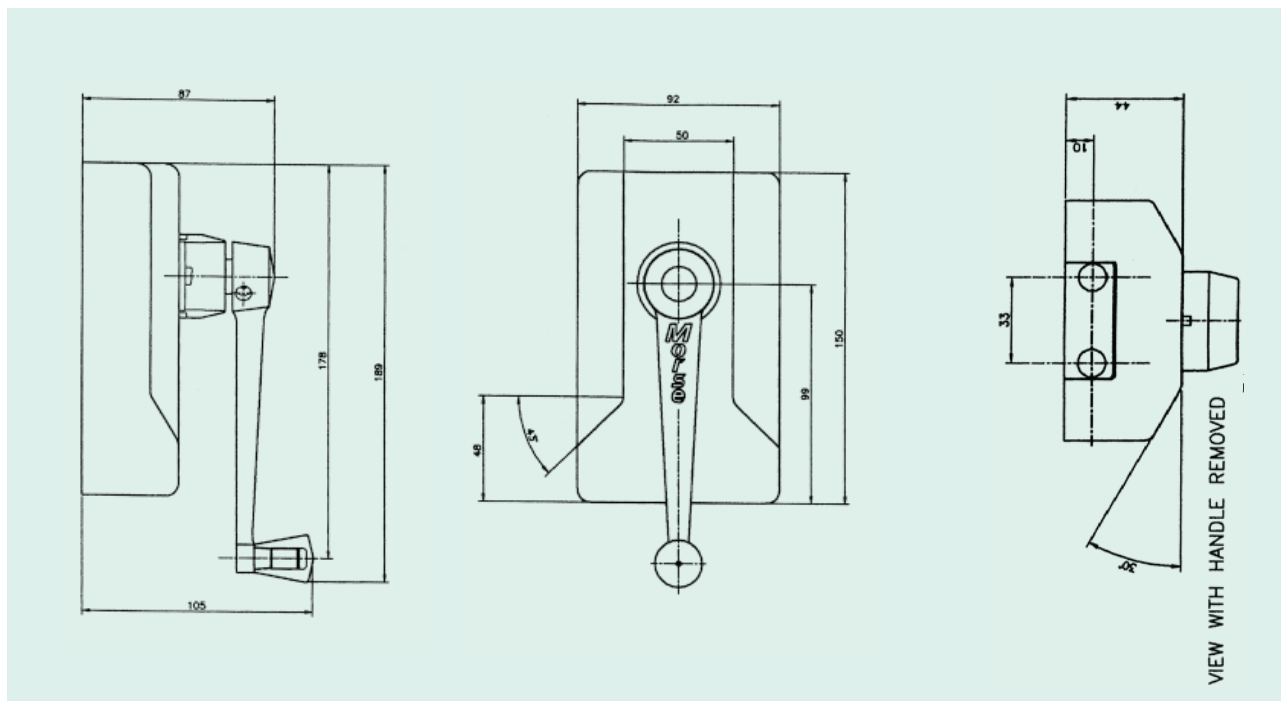
CODE	STROKE	COLOUR	OPENER
T200B	250-380mm	BLACK (RAL 9005)	T100 / T150 / T175 / T190 / SJ138600
T200G	250-380mm	GREY (RAL 9006)	T100 / T150 / T175 / T190 / SJ138600
T200W	250-380mm	WHITE (RAL 9010)	T100 / T150 / T175 / T190 / SJ138600

ACCESSORIES

CODE	DESCRIPTION
T200FIXINGKIT*	Fixing Kit*
T277B*	Replacement Handle Black*
T277G*	Replacement Handle Grey*
T277W*	Replacement Handle White*
T270W	Large Grip Handle White
T700*	Spring Stop*

*Supplied complete with T200 as standard.

DIMENSIONS



DESCRIPTION

- Minimum window height for full 250mm opening of T100 Chain Opener = 500mm
- Minimum window height for full 380mm opening of T150 Chain Opener = 900mm
- Chain Openers fitted on windows less than recommended height must have opening restricted to 30% of the vent height using the T700 Spring Stop or T720 Brass Stop to shorten the cable run. Use only T200, T210, T260 or T300 Operator with the T150 Chain Opener (380mm).
- For safety reasons we recommend fitting side support stays to all bottom-hung, open-in windows. For bottom-hung applications you must fit the T850 fixing kit.

MAXIMUM CONTROL RUN

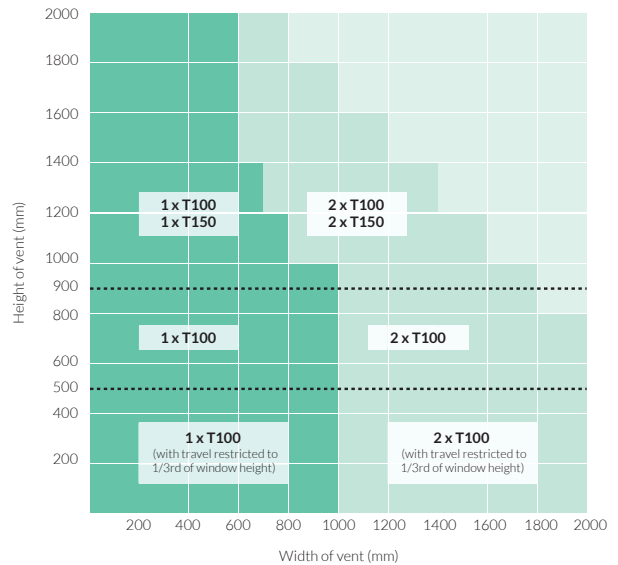
OPERATOR	MAXIMUM CONTROL RUN
T200	30 Metres
T210	30 Metres
T250	18 Metres
T260	18 Metres
T300	18 Metres

SPENT TRAVEL CONDUIT

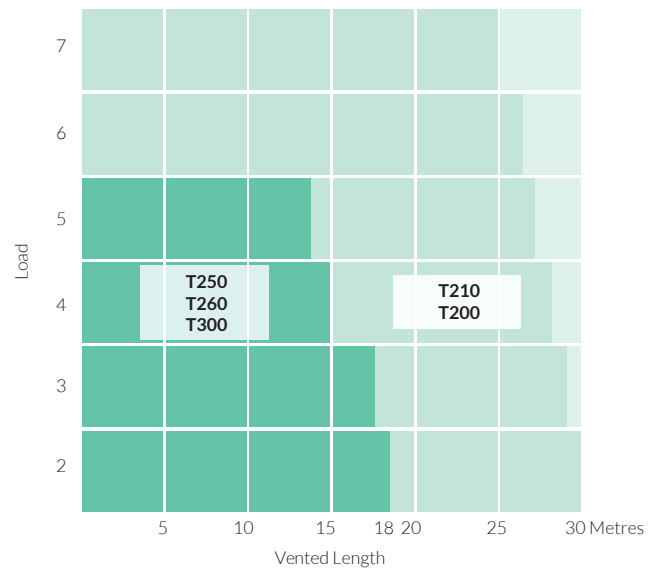
- To allow for the forward/backward movement of the inner cable a length of "spent travel" conduit must be fitted at either end of the control panel i.e. past the last Opener and below the operator (except the T250 & T260 Midi Operators which have an integral "spent travel" tube).

OPENER	SPENT TRAVEL
SJ138600	2500mm
T100	300mm
T150	450mm

NO. OPENERS PER VENT



TYPE OF OPERATOR

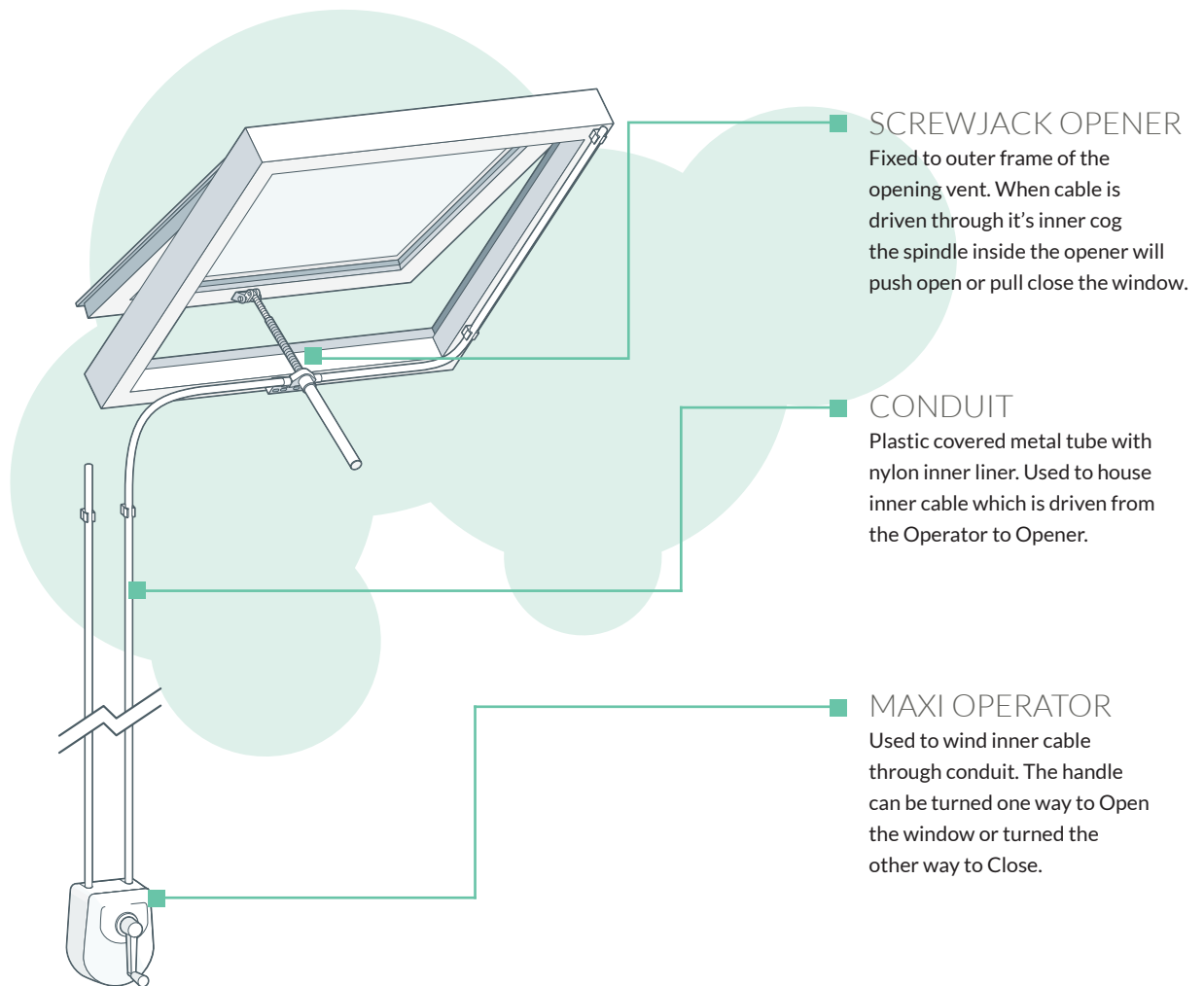


- "Load" = No. Openers + No. Bends in Conduit

The above figures are based on a single bend in the conduit path. For each additional bend deduct 1 metre from the 'Vented Length' total.

The figures used in these charts are based on windows with 4mm double glazed units fitted to butt hinges or free pivots, not friction stays. Please refer to our sales team for advice if friction stays are fitted.

APPLICATION



■ EXAMPLES

