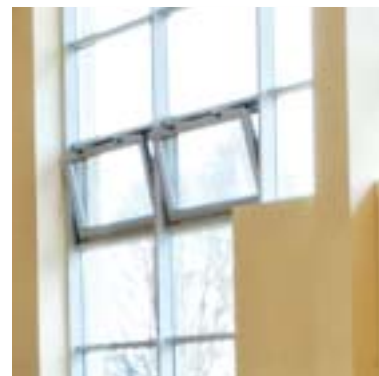


# T175

## MANUAL LOCKING OPENER



### DESCRIPTION

- Manual Locking Opener for bottom hung inward opening windows.
- Can be fitted to most window types Aluminium, Timber or UPVC.
- Maximum opening of 250mm.
- Individual or multiple T175 Locking Openers can be controlled from a single T200, T210, T250 or T300 operator.

### OPENING STROKE

- 250mm

### COLOURS

- White (RAL 9010)
- Black (RAL 9005)
- Silver (RAL 9006)

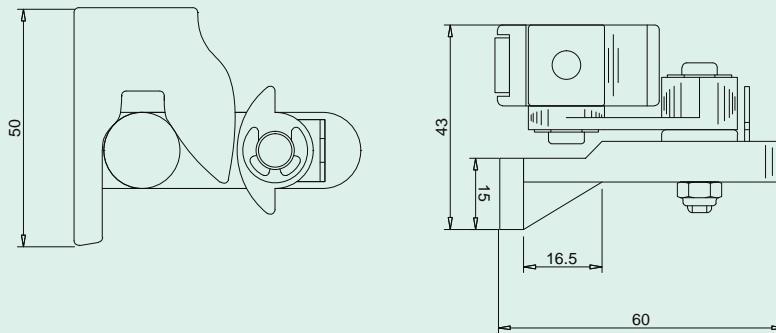
### WINDOW TYPES



# TECHNICAL DATA

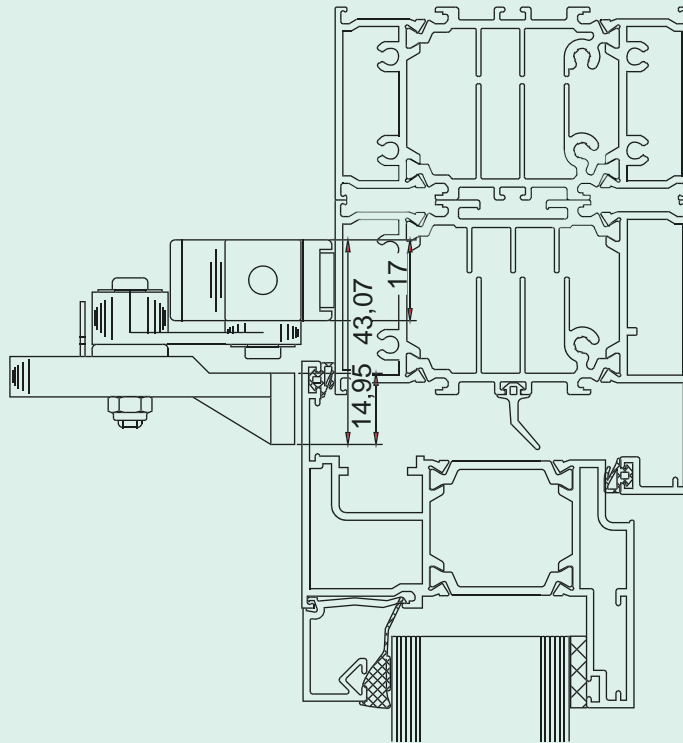
CODE	STROKE	COLOUR	MAX. WINDOW WIDTH	OPERATOR
T175B	250mm	BLACK (RAL 9005)	< 1m	T200, T210, T250, T300
T175G	250mm	GREY (RAL 9006)	< 1m	T200, T210, T250, T300
T175W	250mm	WHITE (RAL 9010)	< 1m	T200, T210, T250, T300

## DIMENSIONS

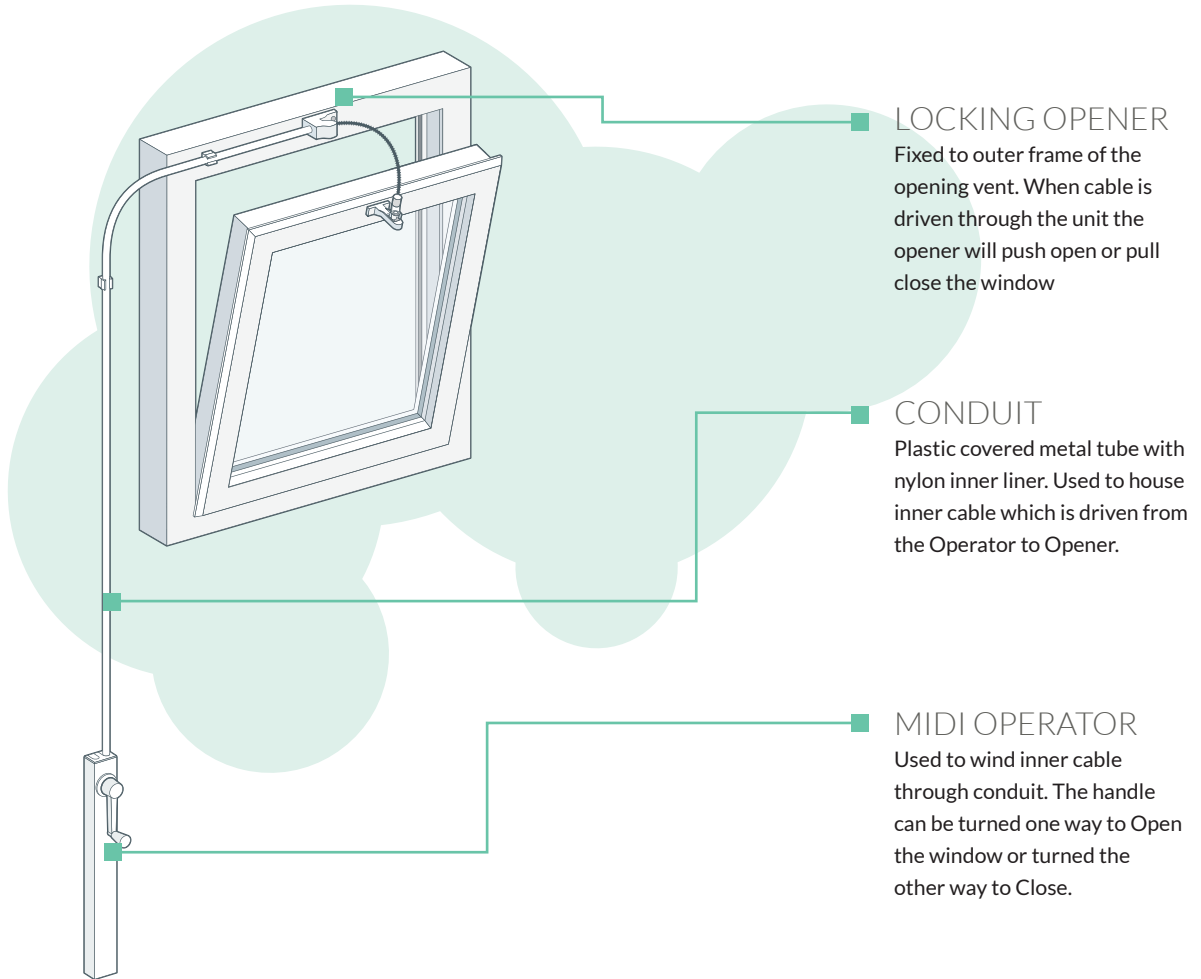


# BRACKETS

■ BOTTOM-HUNG, INWARD OPENING



# APPLICATION



## ■ EXAMPLES

