

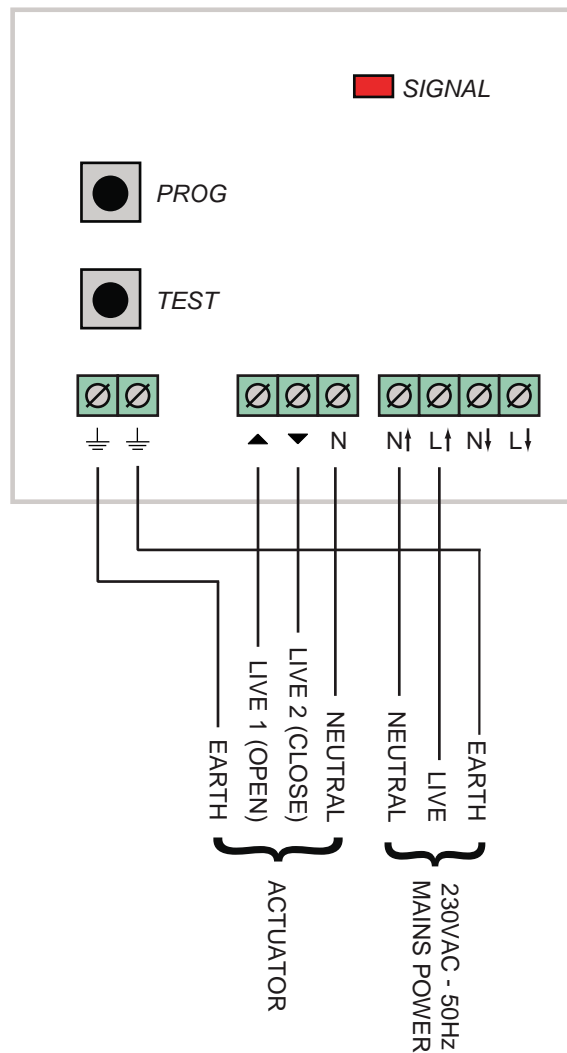
INSTALLATION & USER MANUAL

REMOTE
CONTROL UNIT

RCU1



CONNECTIONS

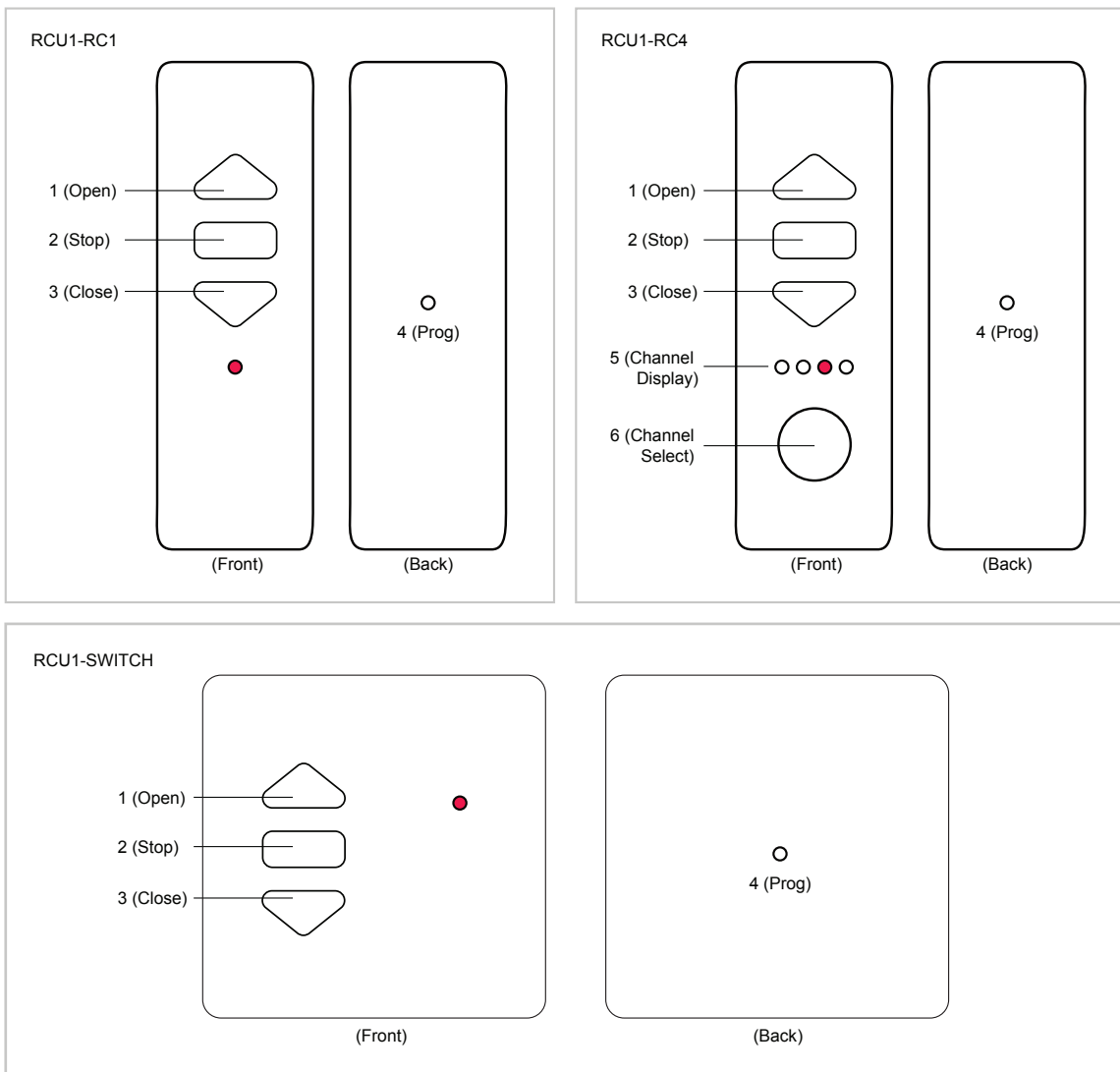


PLEASE NOTE

- The installation of all electrical items must be undertaken by a qualified professional.
- Do not use cable thicker than 1.5mm and multi-strand if possible for flexibility.
- Wire all other inputs before connecting mains power.
- To ensure perfect sealing of the control unit you must pass the cables through the grommets and insert the rubber cord for tighter seal.

PROGRAMMING REMOTES & SWITCHES

- 1** **Only if using 4-Channel Remote**
Select the channel you wish to programme using Channel Select (6) button on the remote control.
- 2** Press the 'Prog' button on the RCU1 until the red LED is lit.
- 3** Now press the programme button (4) on the remote, the red LED will flash to confirm the remote is now paired.



To delete the remote control or switch stored on the RCU1 control unit's memory simply perform the same procedure as above.

TECHNICAL DATA

CODE	CCU3
VOLTAGE (INPUT)	230VAC
VOLTAGE (OUTPUT)	230VAC
OUTPUT CURRENT	3.15A
PROTECTION CLASS	IP55
OPERATING TEMP.	-20° / +60°C
DIMENSIONS	110 x 110 x 40mm
INPUTS	RCU1-RC1, RCU1-RC4, RCU1-SWITCH, RCU1-TIMER

FUNCTIONS

SWITCH

- Open** - Press the Open button (1) on the switch and the actuator will fully open.
Stop - Press the Stop button (2) on the switch and the actuator will stop driving.
Close - Press the Close button (3) and the actuator will fully close.

REMOTE CONTROL

- Open** - Press the Open button (1) on the remote and the actuator will fully open.
Stop - Press the Stop button (2) on the remote and the actuator will stop driving.
Close - Press the Close button (3) on the remote and the actuator will fully close.
*For multi-channel remotes first select the correct channel you wish to operate using the select button (6).

TIMER

- Open** - User can select the time of day they would like the windows to Open, using the digital display and navigation buttons (refer to RCU1-Timer instructions for further information).
Close - User can select the time of day they would like the windows to Close, using the digital display and navigation buttons (refer to RCU1-Timer instructions for further information).