

C30 ACTUATOR

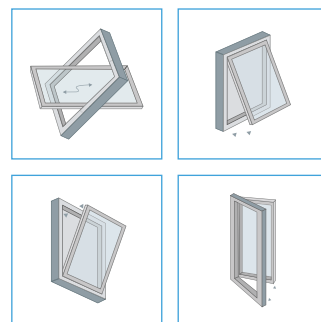
ACTUATORS CHAIN ACTUATORS

■ Applications



■ Colours

White
Black
Grey



■ C30 ACTUATOR

- Chain type actuator with adjustable travel (2 positions 200 or 380mm).
- Strong composite casing.
- Supplied complete with C30/SB standard bracket and C30/BHB bottom hung brackets.
- Also available with C30/SPB small pivot bracket.
- High protection degree IP30.
- A robust, centrally positioned double link stainless steel chain with an acoustic device that warns of any eventual incorrect installations.
- All electrical parts are double insulated and supplied with 1.5m cable.



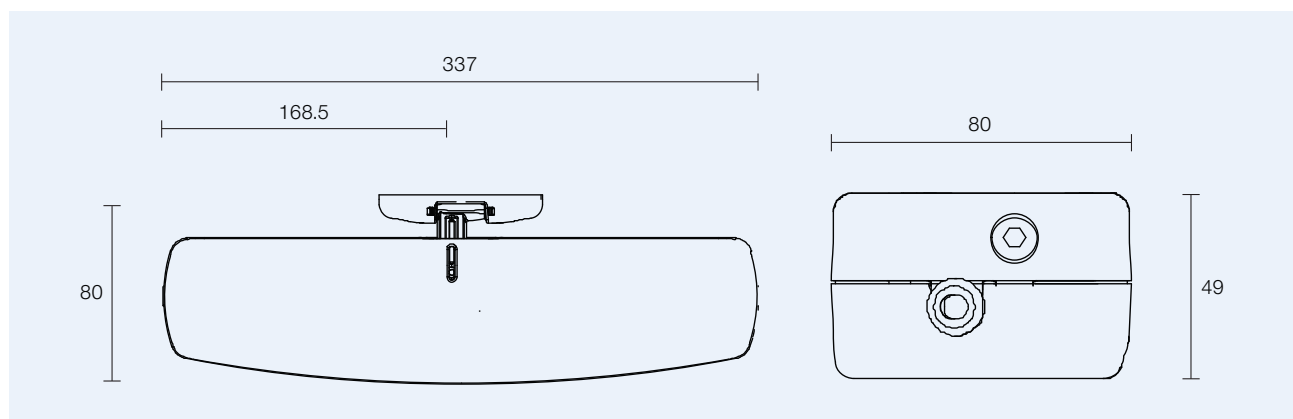
230V

24V

TECHNICAL DATA:

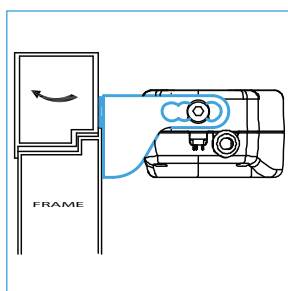
CODE	C30230	C3024
VOLTAGE	230VAC	24VDC
STROKE	200-380mm	200-380mm
THRUST FORCE	300N	300N
ABSORBED CURRENT	0.26A	1.3A
SPEED	27mm/s	17mm/s
PROTECTION CLASS	IP30	IP30
FLEX	1.5m (3 CORE)	1.5m (2 CORE)
COLOURS	WHITE / BLACK / GREY	WHITE / BLACK / GREY
LIMIT STOP	ELECTRONIC	ELECTRONIC
SAFETY STOP	ELECTRONIC	ELECTRONIC
MAX WINDOW WIDTH	<1.5m	<1.5m

DIMENSIONS:

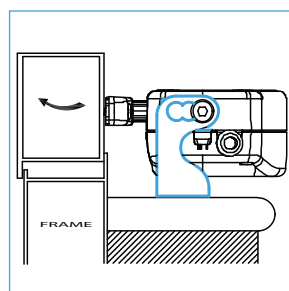


BRACKET TYPES:

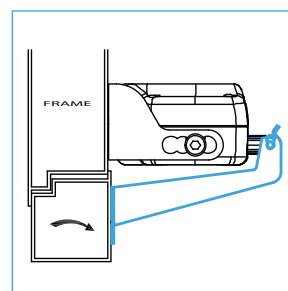
C30/SB*
Standard Bracket



C30/SPB
Small Pivot Bracket



C30/BHB*
Bottom Hung Bracket



* Supplied complete with actuator